

SCANNED
+ final

THE CITY OF NAPOLEON

BUILDING & ZONING DEPARTMENT

255 W. RIVERVIEW

(419)592-4010

Sign Permit

Permit Number: SG2007-7

Page 1 of 1

Printed: 4/23/2007

ADDRESS:

1270 Independence Dr

Applicant

Name: Signs Ohio

Address: 4320 Harding Highway

Approval Date: 4/19/2007

419-228-7446

Owners

Name: Growal Bro Corp

Address: 1270 Independence Dr

Napoleon, OH 43545

Contractors

Contractor Type: Sign

Name: Signs Ohio

Address: 4320 Harding Highway

Lima, OH 45804

Phone: 419-228-7446

Fees and Receipts:

Number	Description	Amount
FEE2007-198	Sign (Auto)	\$91.40

Total Fees: \$91.40

RCPT2007-182		\$91.40
--------------	--	---------

Total Receipts: \$91.40

Zoning approved

APPLICANTS SIGNATURE: _____

DATE: _____

REMINDER: YOU MUST CALL (419)592-4010 FOR AN INSPECTION



2 of 2



CITY OF NAPOLEON
BUILDING & ZONING DEPARTMENT
255 W. Riverview Avenue, PO Box 151, Napoleon, OH 43545
Phone: 419-592-4010 - Fax: 419-599-8393

APPLICATION FOR SIGN PERMIT

LOCATION OF PROPERTY: 1270 Independence Dr. Napoleon Oh 43545

OWNER NAME: Jack Grewal PHONE: 419-599-0065

OWNER ADDRESS: _____

CONTRACTOR NAME: Signs Ohio PHONE: 419-328-7446

IS CONTRACTOR REGISTERED WITH THE CITY OF NAPOLEON? YES NO

SIGN INFORMATION

TYPE: POST WALL GROUND AWNING

DIMENSIONS: 4' high x 1' deep x 83' long = TOTAL S.F. 332

** PLEASE INCLUDE ANY AND ALL SITE PLANS AND PLANS OF ABOVE SIGNS.

FEES:

56.40
35.00
91.40

\$35.00 BASE UP TO 50 S.F. OF SIGN, PLUS \$0.20 PER ADDITIONAL S.F., NOT TO EXCEED \$150.00

\$5.00 FLAT FEE FOR TEMPORARY SIGNS, TEMPORARY SPECIAL EVENT SIGNS, AND PORTABLE SIGNS OTHER THAN THOSE EXEMPT FROM FEE.(SEE BELOW)

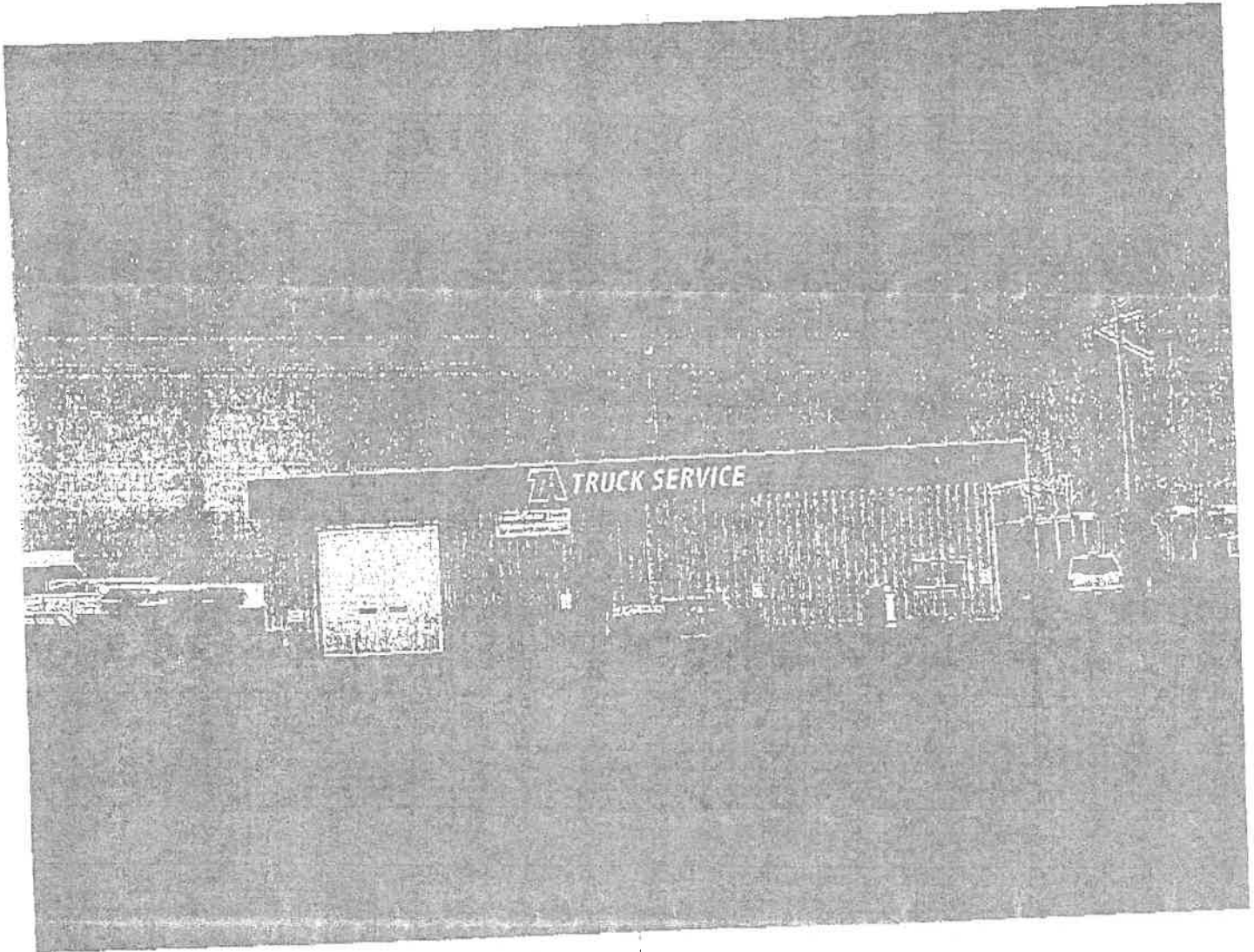
NO FEE REQUIRED FOR TEMPORARY AND EASILY REMOVABLE 1ST AMENDMENT SIGNS, OR SIGNS RELATED TO RELIGIOUS OR CHARTIABLE CAUSES OR EVENTS.

Kevin Kullman
APPLICANT'S SIGNATURE

4-19-07
DATE

APR 19 2007

637



Canopy Elevation (Rear)
Scale: NTS

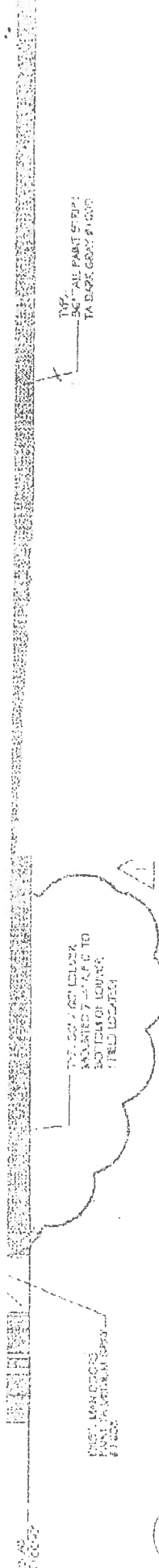


Canopy Detail
Scale: 3/32" = 1' - 0"

- *Canopy - 4' x 83'
- *"TA" Sign - 3'-6" x 4"
- *"TRUCK SERVICE" Ltrs. - 24"
- *"Freightliner" Sign - 3' x 6'-9"

Colors: Red (TA Red)
Blue (TA Blue)
Black
White

NOTE: Construction restrictions



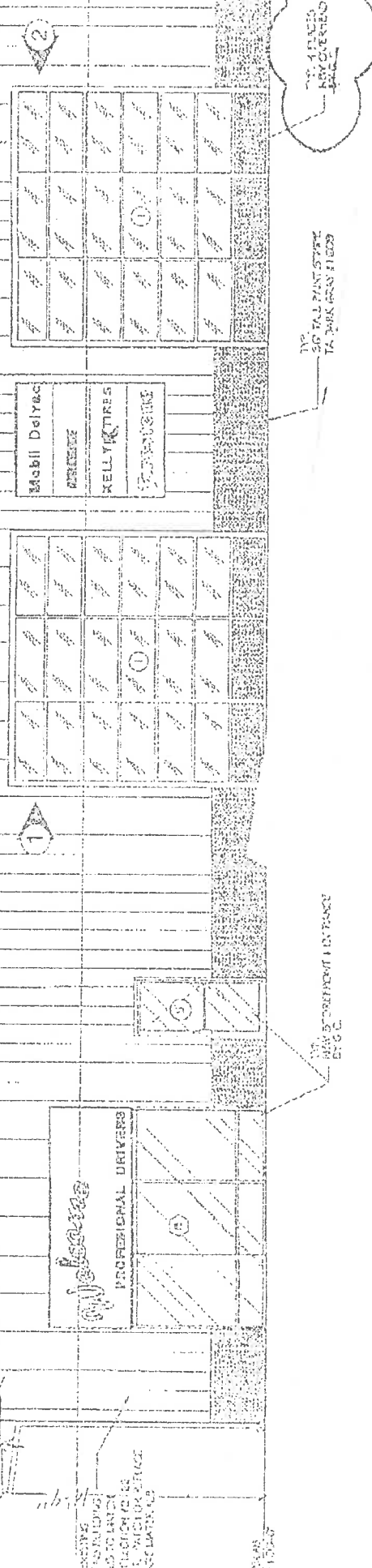
B RIGHT ELEVATION (SOUTH)

SCALE: 3/16" = 1'-0"

85'-6"
79'-6"

NEW DIAL LIGHT SIGNAGE FIXTURES

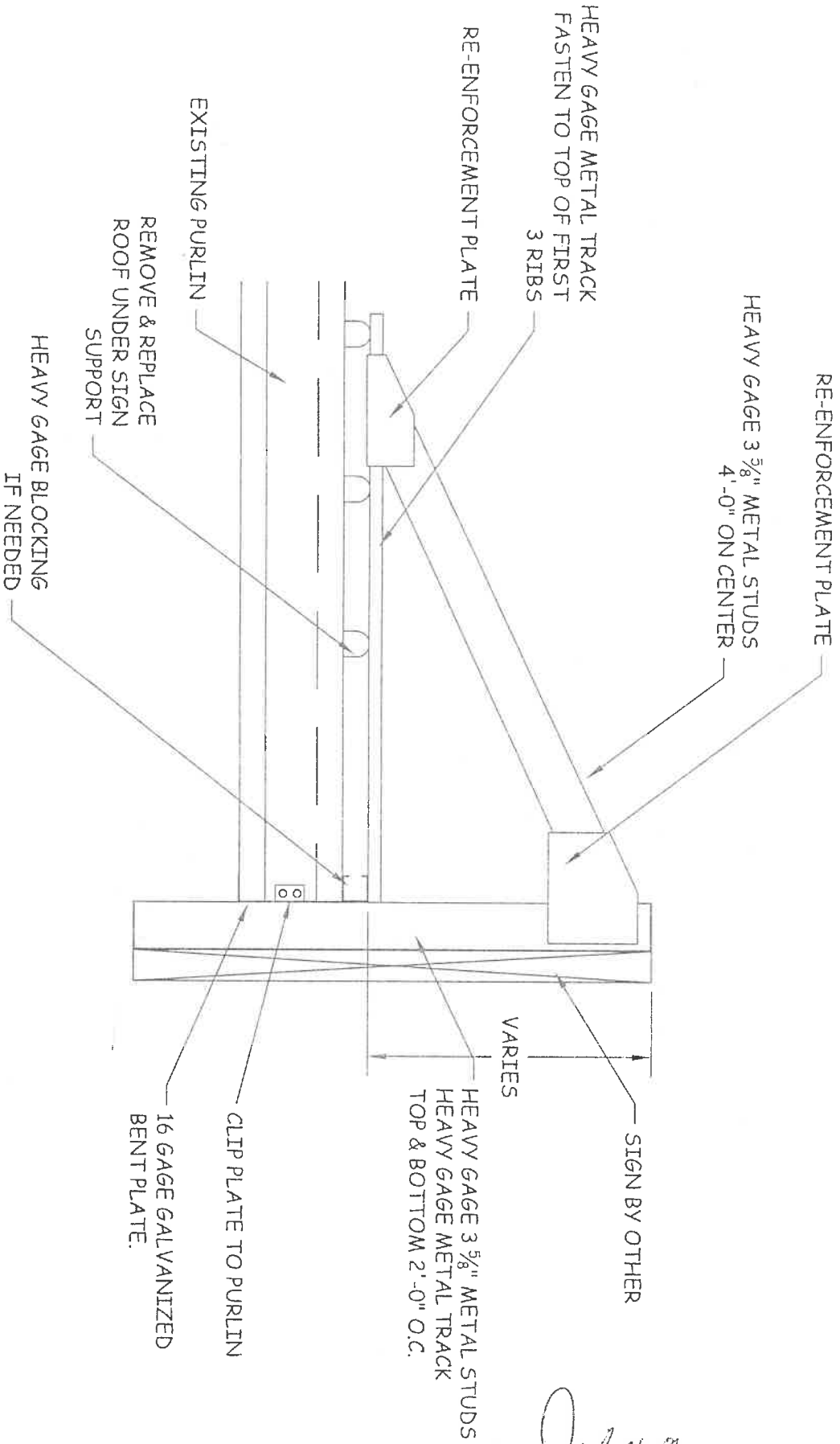
TRUCK SERVICE



A FRONT ELEVATION (EAST)

SCALE: 3/16" = 1'-0"

3/23/2007 3:16:47 PM, McDonalds' Design & Build



Jack McDonald
3-29-07

TA TRUCK STOP
- NAPOLCON, OH
SIGN SUPPORT



DRAWN BY: JAA
CHECKED BY: JW
DATE: 3/14/07

SCALE:
1/2"=1'

SHEET
S1.1

NO.	REVISION	DATE	BY